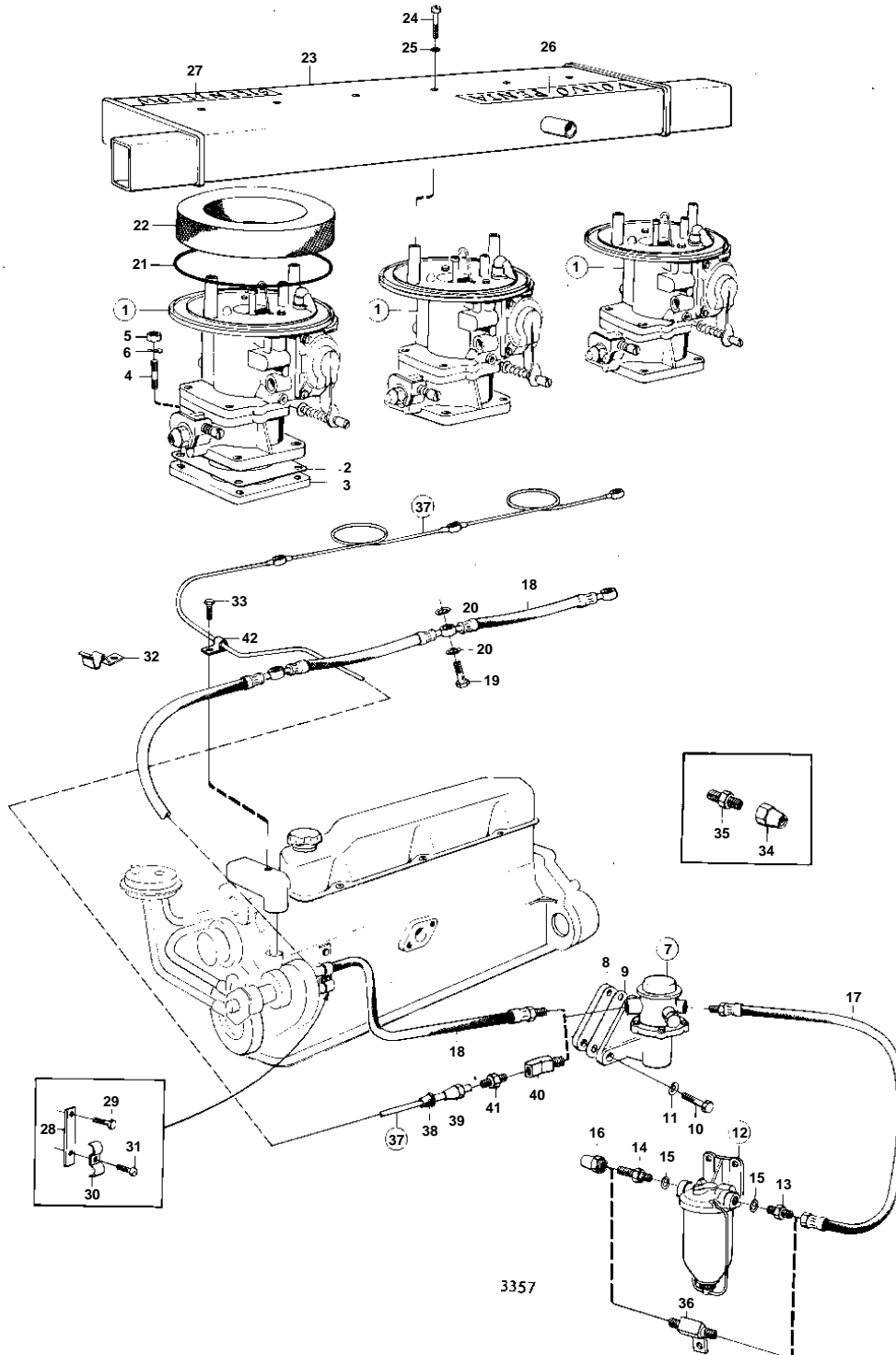


AQ170C



AQ170C

REF	PART NO.	QTY	DESCRIPTION	SEE SEC.	NOTES
1	834528	3	Carburetor		
2	824677	3	Gasket		EARLY TYPE
3		3	Insulating flange		LATE TYPE
4		12	Stud		EARLY TYPE
		12	Stud		LATE TYPE
5	955834	12	Hexagon nut		
6	941907	12	Spring washer		
7	831092	1	Fuel pump		
8	460678	1	Spacer		
9	61830	2	Gasket		
10		2	Screw		
11	941907	2	Spring washer		
12		1	Fuel filter		EARLY TYPE
13		1	Nipple		EARLY TYPE
14	191397	1	Nipple		EARLY TYPE
15	957176	2	Gasket		EARLY TYPE
16	954322	1	Fitting nut		
17	813007	1	Fuel hose		EXCL USA MO-XXXX/84732
18		1	HOSE		ENGINE WITH COLD START SOLENOID
19	824711	3	Hollow screw		
20	834452	6	Gasket		
21	831239	3	Gasket		
22	824663	3	Flame shield		
23		1	Muffler		
24	950046	6	Cross recessed screw		
25	941906	6	Spring washer		
26		1	Decal		
27		1	SIGN		
28		1	Anchorage		MO-XXXX/103956
		1	Bracket		MOXXXX/103957-
29	940133	1	Hexagon screw		
30		1	Clamp		MO-XXXX/103956
		1	Clamp		MOXXXX/103957-
31		1	Cross recessed screw		MO-XXXX/103956
32		1	Clamp		
33	940136	1	Hexagon screw		SEE GROUP 2B
34	941438	1	Nipple		D42A PP SPEC. 16053, 867638., USA
35	954323	1	Fitting nut		D42A PP SPEC. 16053, 867638., USA
36		1	Joint nipple		LATE TYPE
37	831968	1	Fuel pipe		
38		1	· Protective cap		
39	954321	1	· Fitting nut		
40	809109	1	Elbow nipple		REPLACED BY 77989.
	831965	1	Nipple		D70B SPEC. 867054, 867055, 867061, 867062, 867063, 867132, TD70B SPEC. 867065.
41	954335	1	Nipple		REPLACED BY 77989.
42	940374	1	Clamp		
	833971	1	Water separator	12810	
		1	CONNECTING COMPS FUEL FILTER - FUEL TANK		SEE GROUP 9